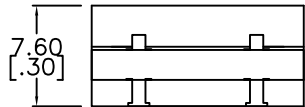
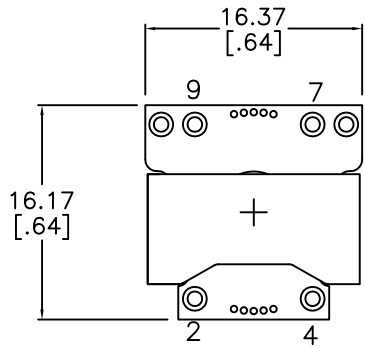
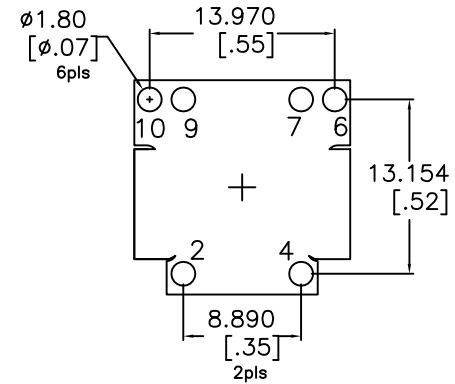


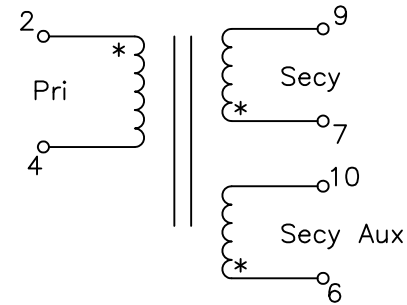
MECHANICAL [TOP VIEW]



SUGGESTED PAD LAYOUT



Schematic



Electrical Information:

1. TURNS RATIO [7-9] : [2-4] =  $0.667 \pm 2\%$  || [6-10] : [2-4] =  $0.167 \pm 2\%$
2. INDUCTANCE [2-4] = 348  $\mu$ H Nom  $\pm 10\%$  @100kHz/1.0V
3. LEAKAGE INDUCTANCE [2-4] : SHORT 7-9 = 150 nH Nom. @100kHz
4. DCR [2-4] = 91 mohms Nom, [7-9] = 33 mohms Nom., [6-10] = 300 mohms Max
5. DIELECTRIC ISOLATION: [2,4] : [7,9] > 1500 VDC  
DIELECTRIC ISOLATION: [2,4] : CORE > 1500 VDC  
DIELECTRIC ISOLATION: [7,9] : CORE > 500 Vdc
6. RoHS Level 6/6 Compliant | Pins 96/4 Sn/Ag Plating
7. Temperature Rating: -55C to +130C

No.	DESCRIPTION	REVISIONS	DATE	APPR
THIRD ANGLE PROJECTION				
CHAMPS TECHNOLOGIES				
TOLERANCES/UNITS in MM UNLESS OTHERWISE INDICATED:		SIGN	DATE	Champs-Tech PN 168R1-1208-S02
.XXX $\pm$ 0.254	DRAWN	HE	3/3/15	Customer
.XX $\pm$ 0.50	CHKD			Part #:
.X $\pm$ 0.78	APPR			SIZE   SCALE 2:1
ANGLE $\pm$				ISSUE A   REV 00