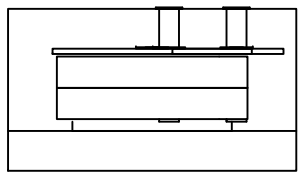
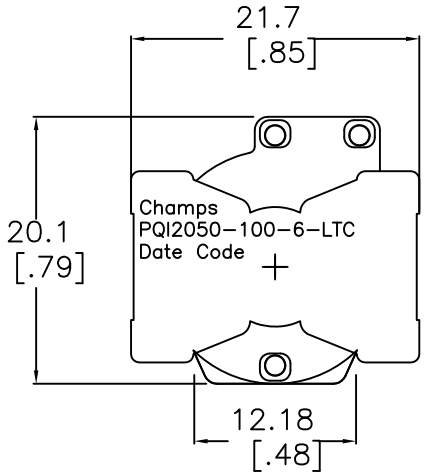


1 2 3 4 5 6 7 8

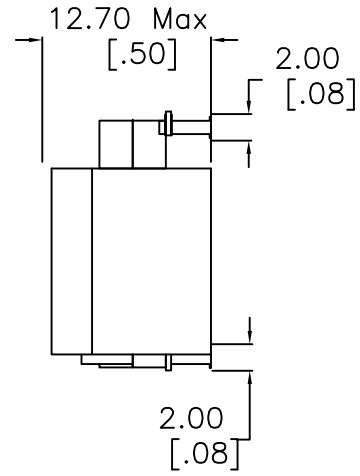
A



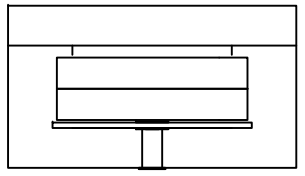
B



C



D

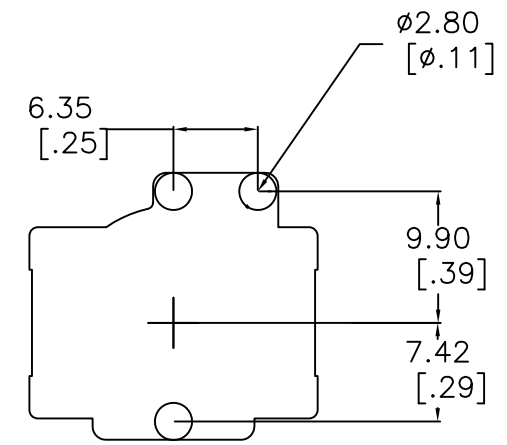


E

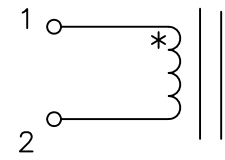
INDUCTANCE [1-2] = 100.0uH Nom, 90 Min. @10kHz/0.1V 6.0 Adc
 INDUCTANCE [1-2] = 85 uH Min @10kHz/0.1V 6.8 Adc
 DCR [1-2] = 76 mohms Nom, 86 Max
 DIELECTRIC ISOLATION > 500 VDC [1-2] : CORE
 SATURATION CURRENT @25C = 6.8 Adc | @85C = 6.0 Adc
 HEATING CURRENT FOR 40C RISE AT 25C AMBIENT = 5.5Adc
 RoHS Level 6/6 and REACH Compliant
 OPERATING TEMP RANGE -55C to +130C [Inclusive of Temp Rise]

F

SUGGESTED
PAD
LAYOUT



Schematic



No.	DESCRIPTION	REVISIONS	DATE	APPR
CHAMPS TECHNOLOGIES				
DRAWN		SIGN	DATE	Champs-Tech PN PQI2050-100-6-LTC
CHKD		DK	8/20/08	Customer
APPR		HE	8/27/13	Part #: INDUCTOR
TOLERANCES/UNITS in MM UNLESS OTHERWISE INDICATED		SIZE		SCALE 2:1
.XXX ± 0.254	ISSUE		REV	
.XX ± 0.38	A		00	
.X ± 1.5	ANGLE ±			