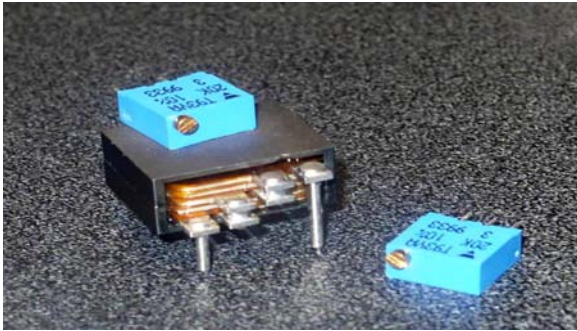




## PI 40 Series Inductors

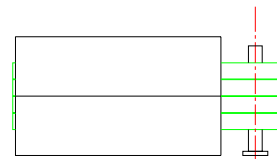
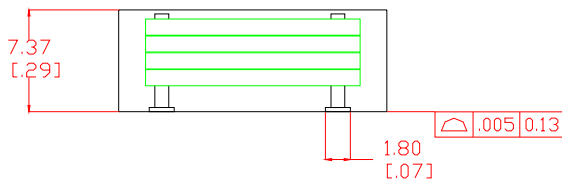
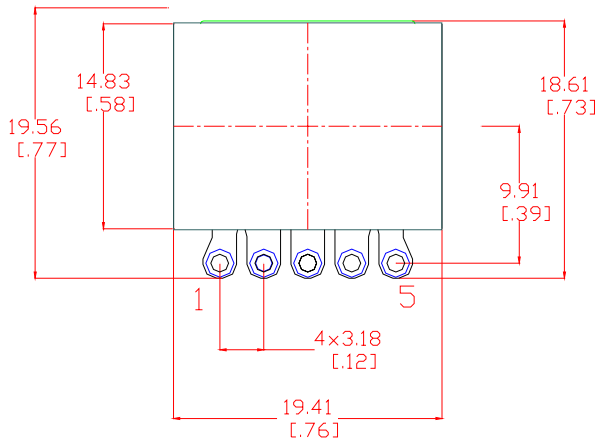
RoHS Compliant



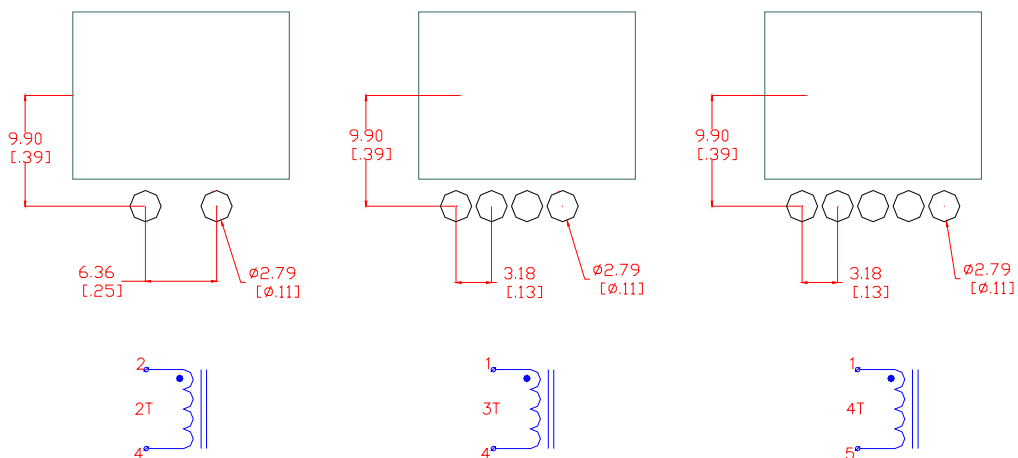
- Inductance Range: 405nH to 6.2μH
- Current Rating: to 52A
- Frequency Range: 200 KHz to 1 Mhz
- Height: 7.4mm Max

Part #	Induct +/-15% @0Adc (μH)	Induct +/-15% @Irated (μH)	Irated <sup>1</sup> Adc	DCR mΩ		Saturation Current <sup>2</sup>		Heating <sup>3</sup> I(A)
				Typ	Max	25°C	100°C	
Schematic 2 Turns								
PP40-1X2-450	0.45	0.40	52	0.78	0.98	95	80	52
PP40-1X2-650	0.65	0.60	52	0.78	0.98	63	53	52
PP40-1X2-910	0.91	0.85	39	0.78	0.98	46	37	52
PP40-1X2-112	1.10	1.05	30	0.78	0.98	35	30	52
PP40-1X2-132	1.30	1.25	25	0.78	0.98	29	26	52
PP40-1X2-152	1.50	1.45	21	0.78	0.98	24	22	52
Schematic 3 Turns								
PP40-1X3-102	1.0	0.95	42	1.15	1.43	68	54	42
PP40-1X3-152	1.5	1.40	36	1.15	1.43	43	35	42
PP40-1X3-202	2.0	1.90	25	1.15	1.43	29	25	42
PP40-1X3-252	2.5	2.40	20	1.15	1.43	23	21	42
PP40-1X3-302	3.0	2.80	15	1.15	1.43	18	16	42
PP40-1X3-352	3.5	3.40	12	1.15	1.43	15	13	42
Schematic 4 Turns								
PP40-1X4-162	1.6	1.50	37	1.44	1.80	55	43	37
PP40-1X4-242	2.4	2.38	30	1.44	1.80	35	27	37
PP40-1X4-362	3.6	3.30	17	1.44	1.80	20	18	37
PP40-1X4-442	4.4	4.00	14	1.44	1.80	16	15	37
PP40-1X4-532	5.3	4.85	11	1.44	1.80	13	12	37
PP40-1X4-622	6.2	5.80	9	1.44	1.80	11	10	37

Notes: 1. Rated Current is 85% Sat current or =heating current. 2. Saturation current is that current which causes Inductance value to drop 15% at stated operating ambient temperature. 3. Heating current is that DC current which causes temp rise ~45 °C from ambient at 25 °C. 4. Dielectric Isolation 500 Vdc



## Mechanical Outline



## Pad Layout & Schematics